

WAWA LIGHT5.0/6.0



10 Years
Warranty

BCT-WW5.0/6.0

Patent number: ZL 2020 3 0665149.8



Light energy charging



Always bright on rainy days



Wide lighting range



Clean Energy

▶ Product Parameters

Product name	WaWa Light 5.0	WaWa Light 6.0
Model	BCT-WW5.0	BCT-WW6.0
Solar panel	90W (Mono)	105W (Mono)
Panel size	590 × 780 × 30 × 25 mm	780 × 680 × 30 × 25 mm
Battery	3.2V/60(±5)Ah LiFePO ₄ Battery	3.2V/80(±5)Ah LiFePO ₄ Battery
Light power	3500 lm	5600 lm
Lighting time	6+X/Intelligent power control, and can use remote control to adjust brightness and working mode.	
Gross weight	11.9kg	12.49kg
Lamp life	100000 hours	
Lamp size	285 × 320 × 86.6mm	
Lamp carton size	405 × 350 × 315mm (4 pc/carton)	
Solar panel carton size	795 × 605 × 140mm (4 Pcs/carton)	795 × 695 × 140mm (4 Pcs/carton)
Beam angle	bat wing 150°*70°	
CRI	Ra70	
Color temperature	6500K,4000K	
IP rating	IP65	
IK level	IK08	
Operating temperature	-40°C~70°C	
Working humidity	10%~90%	

*Note: The above data are typical values. The actual product weight will have an error of about 5%.

Product Display



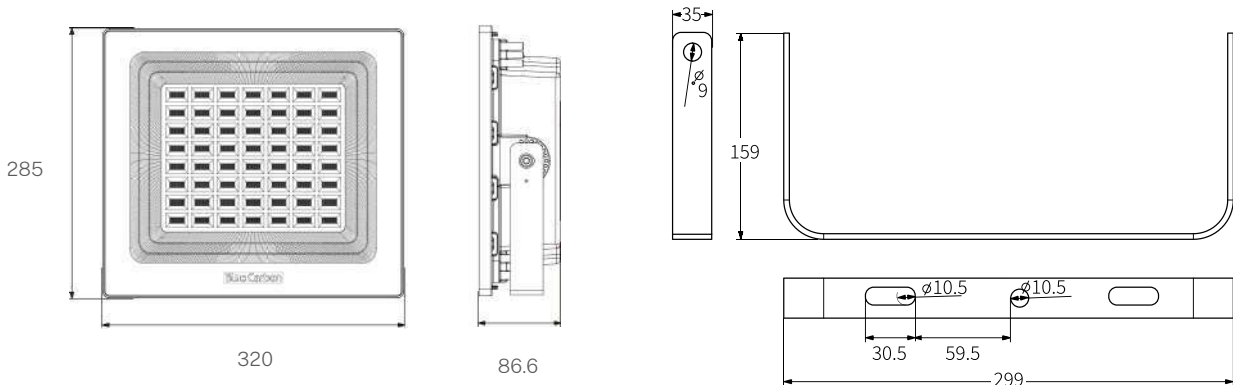
Positioning rotation angle,
more solid installation.



► Product Size:

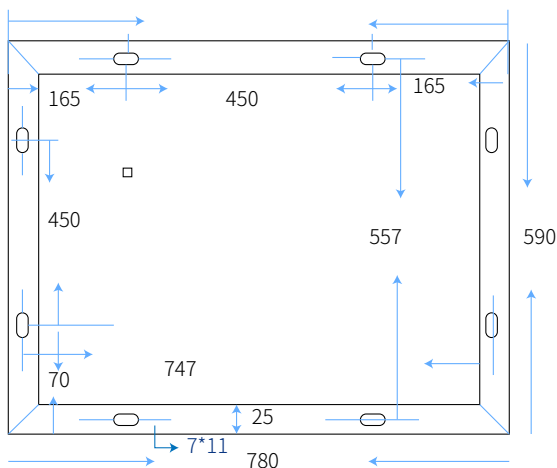
• Lamp head size chart

Unit: mm

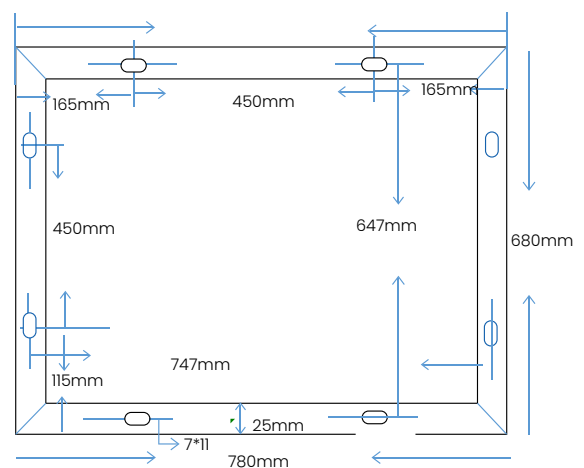


• Solar panel size chart

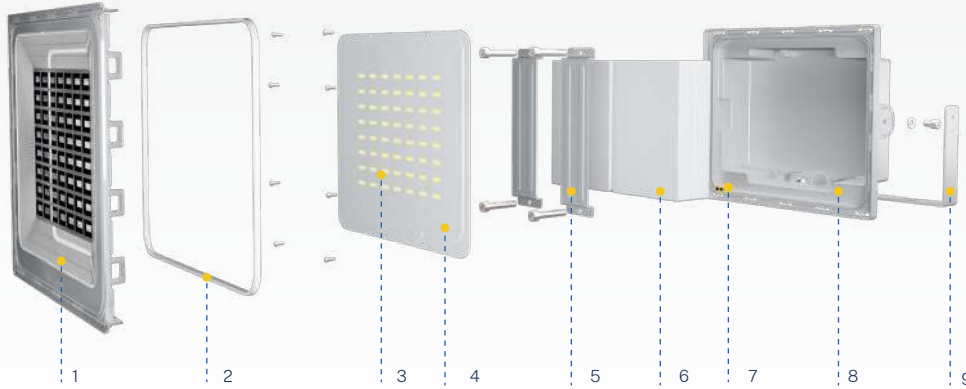
590×730×30×25 mm



780×680×30×25 mm



► Product Details Display



1、 PC Outdoor Optical Lens



High light transmittance, high temperature resistance and aging resistance.

2、 Waterproof Ring

3、 Imported High LED Lamp Beads



Imported high lumen LED chips, with 100,000 hrs life span.

4、 Control & Drive Integrated Lamp Board

5、 Battery Card

6、 LiFePO4 Battery



Super endurance, high and low temperature resistance, long cycle life.

7、 Gold Plated Plug

8、 Aluminum Magnesium Alloy Lamp Case

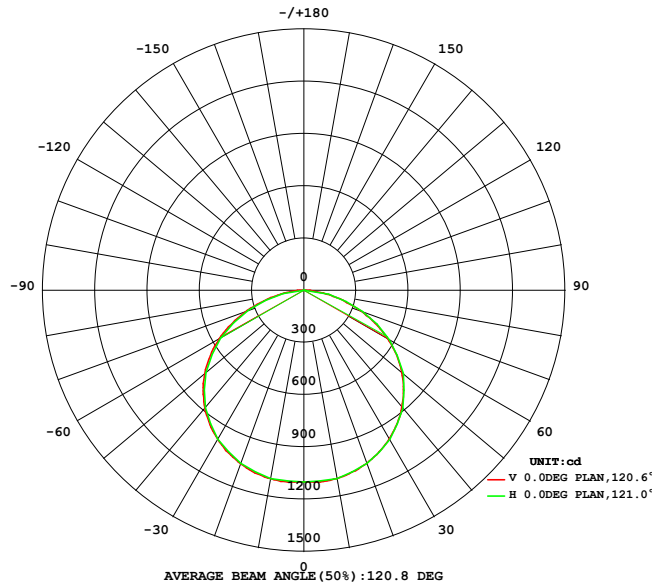


High quality aluminum magnesium alloy, anti-corrosion and high heat dissipation.

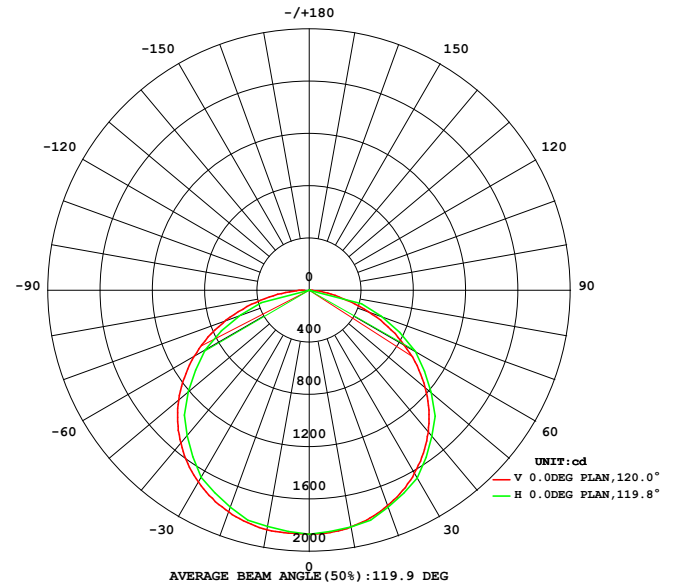
9、 Bracket

► IES

BCT-WW5.0



BCT-WW6.0



- Original patent design, independent mould.
- All night lighting. The light never be off no matter how many rainy or cloudy days.
- The light can be installed from Equator area to Polar regions. The working temperature is -40-70°C
- Integrated design, modular production.
- Low voltage design, safe and Reliable.
- Integrated package, convenient transportation.

► Installation Case

Applicable place:

It is widely used in home lighting, streets and roads, residential areas, scenic spots, parks, squares, private gardens and other public places. also used for night lighting of advertising board, and construction outdoor lighting, easy to install, energy saving, no need to pay electric fee, longer life span.

The product is easy to install, no auxiliary lines required, energy saving and environmental protection, no electricity charge, long service life.

WaWa Light5.0/6.0



Shandong, China ▲





Kuwait ▲



▲ Jiangsu, China



▲ Thailand



Yunnan, China ▲



▲ Guizhou, China



Shandong, China ▲