

WAWA LIGHT 3.0/4.0



BCT-WW3.0/4.0

Patent number: ZL 2020 3 0665149.8



10 Years
Warranty



Light energy charging



Always bright on rainy days



Wide lighting range



Clean Energy

Product Parameters

Product name	WaWa Light 3.0	WaWa Light 4.0
Model	BCT-WW3.0	BCT-WW4.0
Solar panel	40W (Mono)	65W (Mono)
Panel size	357×576×25×25 mm	590×550×30×25 mm
Battery	3.2V/25(±5)Ah LiFePO ₄ Battery	3.2V/45(±5)Ah LiFePO ₄ Battery
Light power	1600lm	2200lm
Lighting time	6+X/Intelligent power control, and can use remote control to adjust brightness and working mode.	
Gross weight	5.28kg	7.56kg
Lamp life	100000 hours	
Lamp size	245×210×85 mm	
Lamp carton size	528×400×238mm (8 pc/carton)	
Solar panel carton size	620×393×117mm (4 Pcs/carton)	635×583×185mm (4 Pcs/carton)
Beam angle	bat wing 150°*70°	
CRI	Ra70	
Color temperature	6500K,4000K	
IP rating	IP65	
IK level	IK08	
Operating temperature	-40°C~70°C	
Working humidity	10%-90%	

*Note: The above data are typical values. The actual product weight will have an error of about 5%.

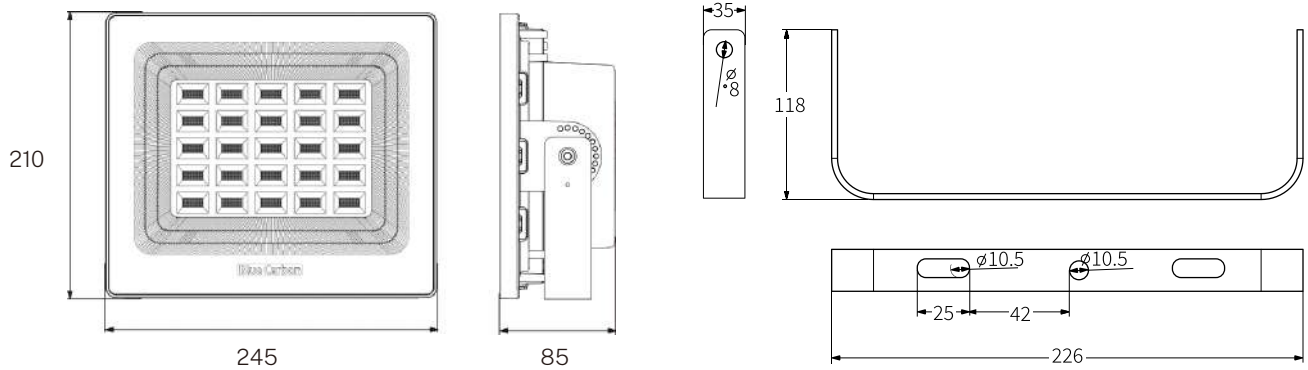
Product Display



► Product Size:

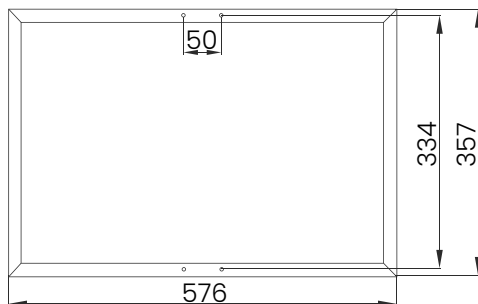
• Lamp head size chart

Unit: mm

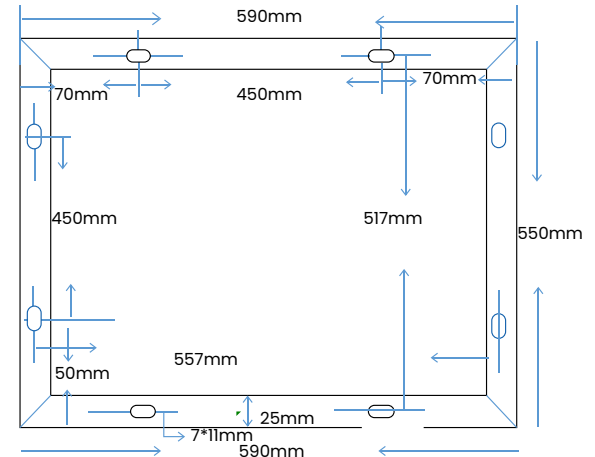


• Solar panel size chart

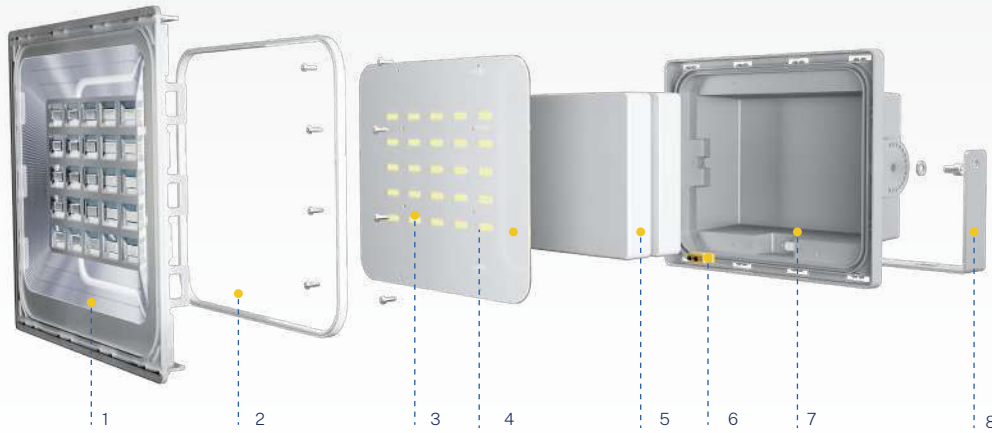
357×576×25×25 mm



590×550×30×25 mm



▶ Product Details Display



1、PC Outdoor Optical Lens



High light transmittance, high temperature resistance and aging resistance.

2、Waterproof Ring

3、Imported High LED Lamp Beads



Imported high lumen LED chips, with 100,000 hrs life span.

4、Control & Drive Integrated Lamp Board

5、LiFePO₄ Battery



Super endurance, high and low temperature resistance, long cycle life.

6、Gold Plated Plug

7、Aluminum Magnesium Alloy Lamp Case

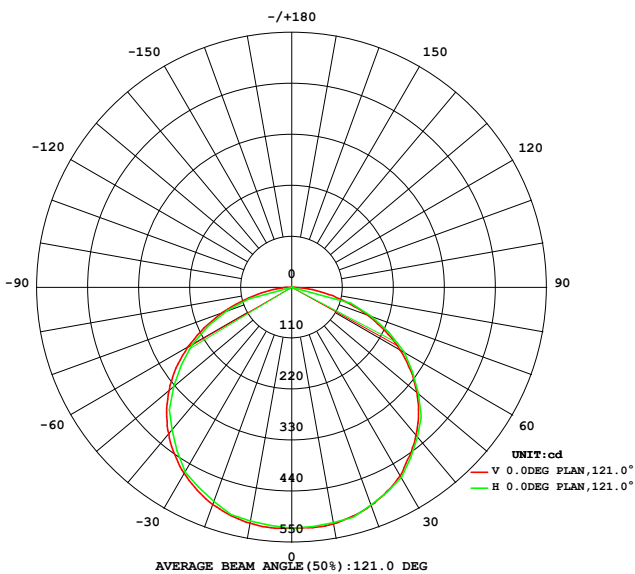


High quality aluminum magnesium alloy, anti-corrosion and high heat dissipation.

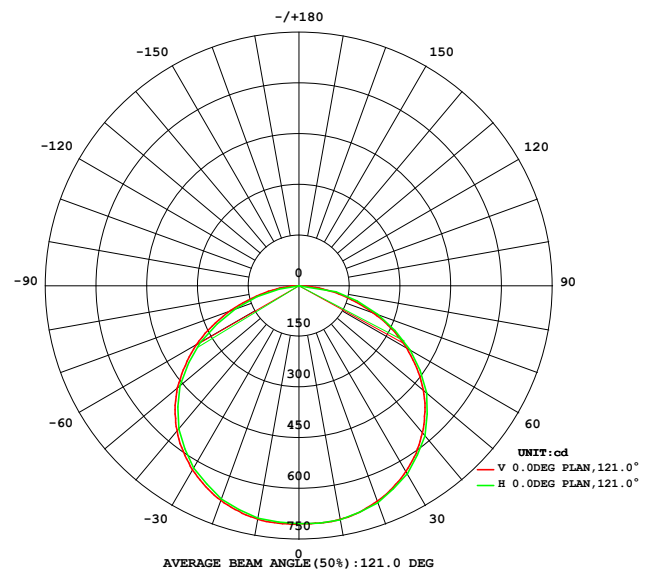
8、Bracket

▶ IES

BCT-WW3.0



BCT-WW4.0



- Original patent design, independent mould.
- All night lighting. The light never be off no matter how many rainy or cloudy days.
- The light can be installed from Equator area to Polar regions. The working temperature is -40-70°C
- Integrated design, modular production.
- Low voltage design, safe and Reliable.
- Integrated package, convenient transportation.

► Installation Case

Applicable place:

It is widely used in home lighting, streets and roads, residential areas, scenic spots, parks, squares, private gardens and other public places. Also used for night lighting of advertising board, and construction outdoor lighting, easy to install, energy saving, no need to pay electric fee, longer life span.

The product is easy to install, no auxiliary lines required, energy saving and environmental protection, no electricity charge, long service life.

WaWa Light 3.0/4.0



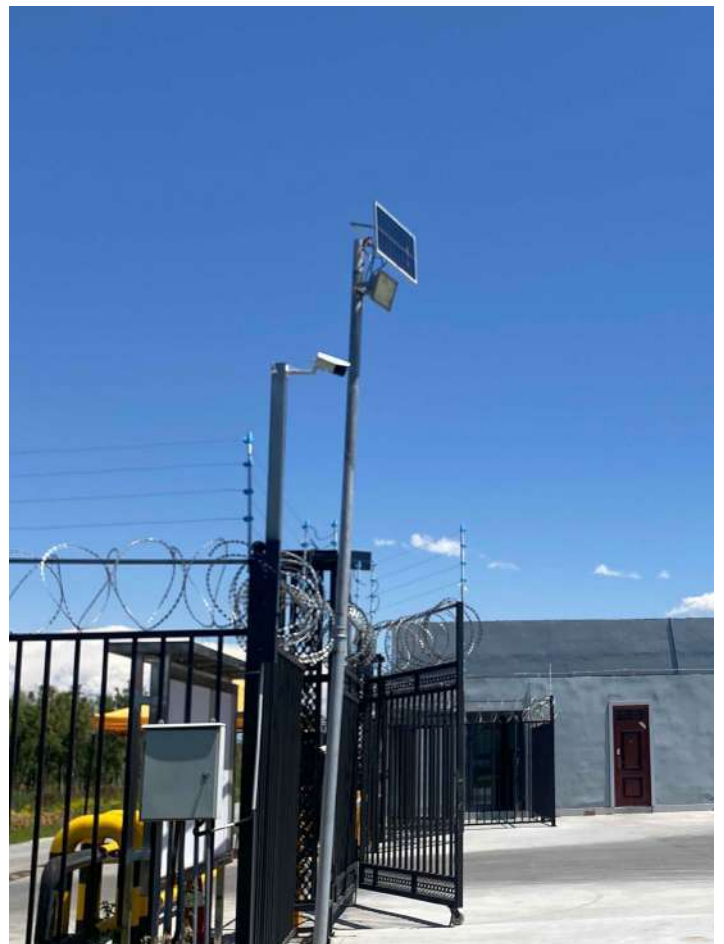
▲ Egypt



▲ Hunan, China



▲ Iran



Xinjiang, China ▲